

8 7 6 5 4 3 2 1

D

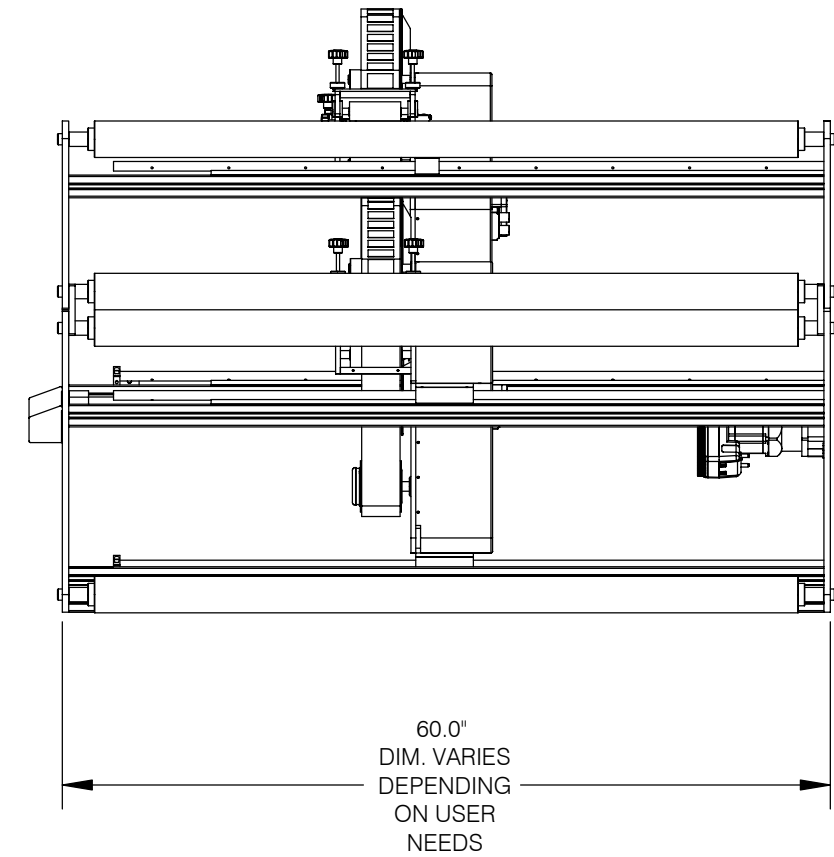
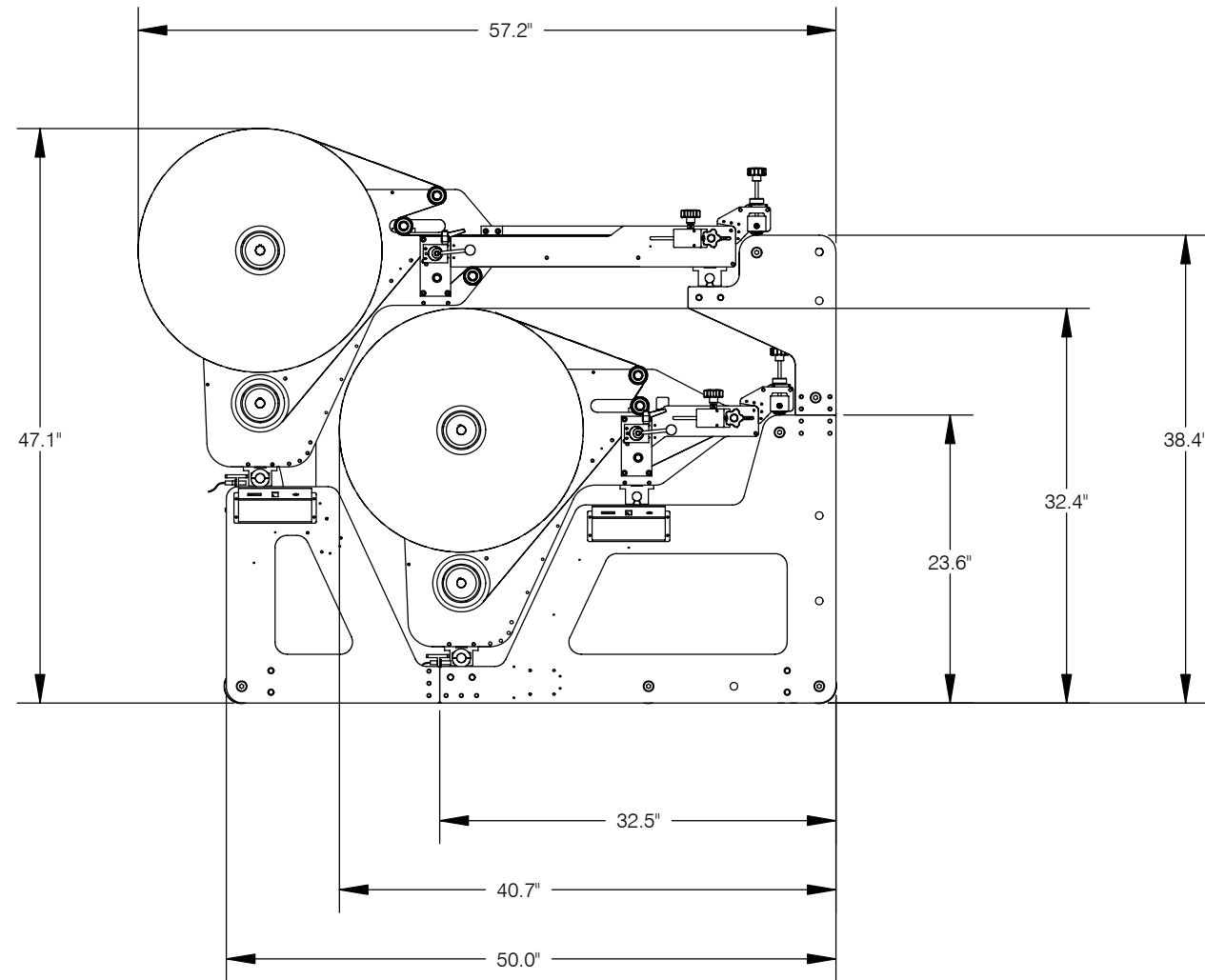
D

C

C

B

B



A

A

REV.	DATE	DESCRIPTION	BY	REV.	DATE	DESCRIPTION	BY

**UNLESS OTHERWISE SPECIFIED
ALL DIMENSIONS ARE IN INCHES**

TOLERANCES:
 ANGULAR ±1/2°
 FRACTIONS ±1/32
 .X ± 0.125
 .XX ± 0.015
 .XXX ± 0.005

SURFACES 125 ✓
 THIRD ANGLE PROJECTION

THIS DRAWING IS THE PROPERTY OF POWERFORWARD INC.
 ACCEPTANCE OF THIS DRAWING CONSTITUTES AGREEMENT
 (1) THAT IT AND COPIES THEREOF SHALL NOT BE
 TRANSMITTED OR EXHIBITED TO OTHERS
 (2) THAT IT AND ANY INFORMATION APPEARING HERE ON
 IS CONFIDENTIAL AND IS NOT TO DISCLOSED TO
 OTHERS WITHOUT FIRST OBTAINING WRITTEN
 PERMISSION FROM POWERFORWARD INC.

NAME	SL	DATE	DD/MM/YYYY
DRAWN	SL	9/10/2009	
CHECKED			
APPRVD			
MATERIAL:	SEE B.O.M.		
FINISH:	NONE		

POWER FORWARD

TORONTO, CANADA
 WWW.POWERFWD.COM

TITLE:
 X
 POWERSTICK V2 TWIN

SIZE	DWG. NO.	WEIGHT:
B	PF05-180	1134.213 ^{lbs}

SCALE: 1:15 REV: 0 SHEET 1 OF 1

8 7 6 5 4 3 2 1