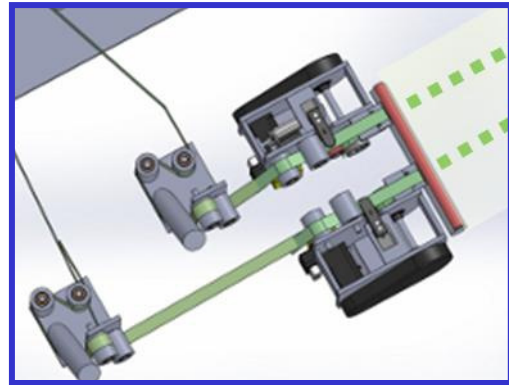


Repositioning System for Manufacturers

Information Sheet

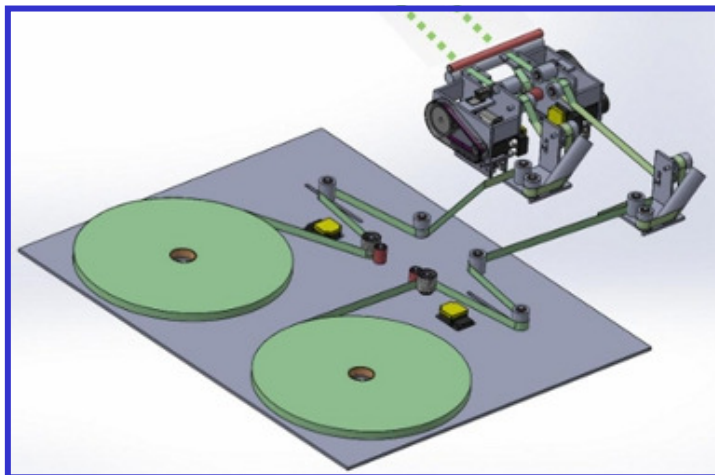
Moving Multiple One-up Items onto a Release Liner

- Pressure-sensitive items on release liners
 - Two items like: closures, NFC tags, labels, booklet labels, RFIDs, samples, and other devices
 - Moved onto one release liner
- Run 2 or 3 passes to add more items
- Using proven PowerStick technology (US Patent 8,453,700) running at 1000 pieces/min for each input roll



Two Coordinated Applicators

Adjustable Placement on New Liner



With Two Input Rolls

Features

- Products from 1"W X 7/8"L (25 x 22mm) to 2"W x 3"L (50 x 76mm)
- Roll size depends on product
- Loose loop tension control
- No damage to products
- Accuracy +/- 1/16" (1.5mm), no accumulated error

Operation & maintenance

- Environment: 120V, 7A, no air
- Operator control: console to specify and fine-tune position
- Maintenance: clean by blowing with air between runs
- One year warranty, parts and labor

Designed & manufactured by PowerForward Inc.
Toronto, Canada, www.powerfwd.com

For more information, contact:

Kevin Quinn, PowerForward Inc.
60 Ironside Cres. Unit 1
Toronto, ON M1X 1G4
kquinn@powerfwd.com
Tel: 416.227.0002
Fax: 416.227.1609